



# PD54003-E PD54003S-E

RF POWER transistor, LDMOST plastic family  
N-channel enhancement-mode, lateral MOSFETs

## General features

- Excellent thermal stability
- Common source configuration
- $P_{OUT} = 3W$  with 12dB gain @ 500MHz
- New RF plastic package

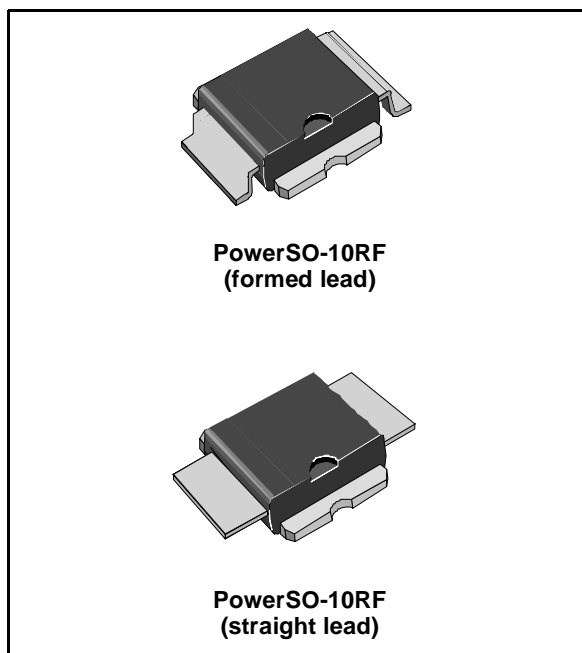
## Description

The PD54003 is a common source N-channel, enhancement-mode lateral Field-Effect RF power transistor. It is designed for high gain, broadband commercial and industrial applications. It operates at 7V in common source mode at frequencies of up to 1GHz.

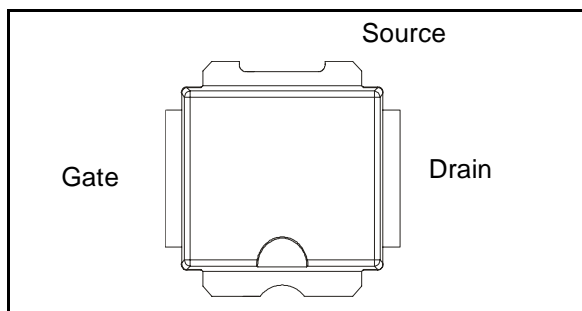
The PD54003 features the excellent gain, linearity and reliability of ST's latest LDMOS technology, the PowerSO-10RF. The superior linearity performance makes it an ideal solution for portable radios.

The PowerSO-10RF is the first true Surface-mount Device (SMD) plastic RF power package. It is based on the highly reliable PowerSO-10, the first ST-originated, JEDEC-approved, high-power SMD package.

It has been optimized specifically for RF requirements, and offers excellent RF performance as well as ease of assembly. Surface-mount recommendations are available in Application Note AN1294 (see [www.st.com/rf](http://www.st.com/rf)).



## Pin connection



## Order codes

Part number	Package	Packing
PD54003-E	PowerSO-10RF (formed lead)	Tube
PD54003S-E	PowerSO-10RF (straight lead)	Tube
PD54003TR-E	PowerSO-10RF (formed lead)	Tape and reel
PD54003STR-E	PowerSO-10RF (straight lead)	Tape and reel

# Contents

<b>1</b>	<b>Electrical data</b> .....	<b>3</b>
1.1	Maximum ratings .....	3
1.2	Thermal data .....	3
<b>2</b>	<b>Electrical Characteristics</b> .....	<b>4</b>
2.1	Static .....	4
2.2	Dynamic .....	4
<b>3</b>	<b>Impedance</b> .....	<b>5</b>
<b>4</b>	<b>Typical performance</b> .....	<b>6</b>
<b>5</b>	<b>Test circuit</b> .....	<b>12</b>
<b>6</b>	<b>Circuit layout</b> .....	<b>14</b>
<b>7</b>	<b>Common source s-parameter</b> .....	<b>15</b>
7.1	PD54003-E ( $V_{DS} = 7.5V$ $I_{DS} = 50mA$ ) .....	15
7.2	PD54003-E $V_{DS} = 7.5V$ $I_{DS} = 500mA$ .....	16
7.3	PD54003-E $V_{DS} = 7.5V$ $I_{DS} = 1A$ .....	17
7.4	PD54003S-E $V_{DS} = 7.5V$ $I_{DS} = 50A$ .....	18
7.5	PD54003S-E $V_{DS} = 7.5V$ $I_{DS} = 500mA$ .....	19
7.6	PD54003S-E $V_{DS} = 7.5V$ $I_{DS} = 1A$ .....	20
<b>8</b>	<b>Mechanical Data</b> .....	<b>21</b>
<b>9</b>	<b>Revision history</b> .....	<b>26</b>

# 1 Electrical data

## 1.1 Maximum ratings

Table 1. Absolute maximum ratings ( $T_{CASE} = 25^{\circ}C$ )

Symbol	Parameter	Value	Unit
$V_{(BR)DSS}$	Drain-source voltage	25	V
$V_{GS}$	Gate-source voltage	$\pm 20$	V
$I_D$	Drain current	4	A
$P_{DISS}$	Power dissipation (@ $T_C = 70^{\circ}C$ )	52.8	W
$T_J$	Max. operating junction temperature	165	$^{\circ}C$
$T_{STG}$	Storage temperature	-65 to +150	$^{\circ}C$

## 1.2 Thermal data

Table 2. Thermal data

Symbol	Parameter	Value	Unit
$R_{thJC}$	Junction - case thermal resistance	1.8	$^{\circ}C/W$

## 2 Electrical Characteristics

$$T_{\text{CASE}} = +25\text{ }^{\circ}\text{C}$$

### 2.1 Static

**Table 3. Static**

Symbol	Test conditions		Min.	Typ.	Max.	Unit
$I_{\text{DSS}}$	$V_{\text{GS}} = 0\text{V}$	$V_{\text{DS}} = 25\text{V}$			1	$\mu\text{A}$
$I_{\text{GSS}}$	$V_{\text{GS}} = 20\text{V}$	$V_{\text{DS}} = 0\text{V}$			1	$\mu\text{A}$
$V_{\text{GS(Q)}}$	$V_{\text{DS}} = 10\text{V}$	$I_{\text{D}} = 50\text{mA}$	2.0		5.0	V
$V_{\text{DS(ON)}}$	$V_{\text{GS}} = 10\text{V}$	$I_{\text{D}} = 1\text{A}$			1.3	V
$g_{\text{FS}}$	$V_{\text{DS}} = 10\text{V}$	$I_{\text{D}} = 3.2\text{A}$		1.7		mho
$C_{\text{ISS}}$	$V_{\text{GS}} = 0\text{V}$	$V_{\text{DS}} = 7.5\text{V}$		59		pF
$C_{\text{OSS}}$	$V_{\text{GS}} = 0\text{V}$	$V_{\text{DS}} = 7.5\text{V}$		43		pF
$C_{\text{RSS}}$	$V_{\text{GS}} = 0\text{V}$	$V_{\text{DS}} = 7.5\text{V}$		4.0		pF

### 2.2 Dynamic

**Table 4. Dynamic**

Symbol	Test conditions		Min.	Typ.	Max.	Unit
$P_{\text{OUT}}$	$V_{\text{DD}} = 7.5\text{V}$ , $I_{\text{DQ}} = 50\text{mA}$	$f = 500\text{MHz}$	3			W
$G_{\text{PS}}$	$V_{\text{DD}} = 7.5\text{V}$ , $I_{\text{DQ}} = 50\text{mA}$ , $P_{\text{OUT}} = 3\text{W}$	$f = 500\text{MHz}$	10	12		dB
$\eta_{\text{D}}$	$V_{\text{DD}} = 7.5\text{V}$ , $I_{\text{DQ}} = 50\text{mA}$ , $P_{\text{OUT}} = 3\text{W}$	$f = 500\text{MHz}$	50	55		%
Load mismatch	$V_{\text{DD}} = 9.5\text{V}$ , $I_{\text{DQ}} = 50\text{mA}$ , $P_{\text{OUT}} = 3\text{W}$	$f = 500\text{MHz}$ All phase angles	20:1			VSWR

### 3 Impedance

Figure 1. Current conventions

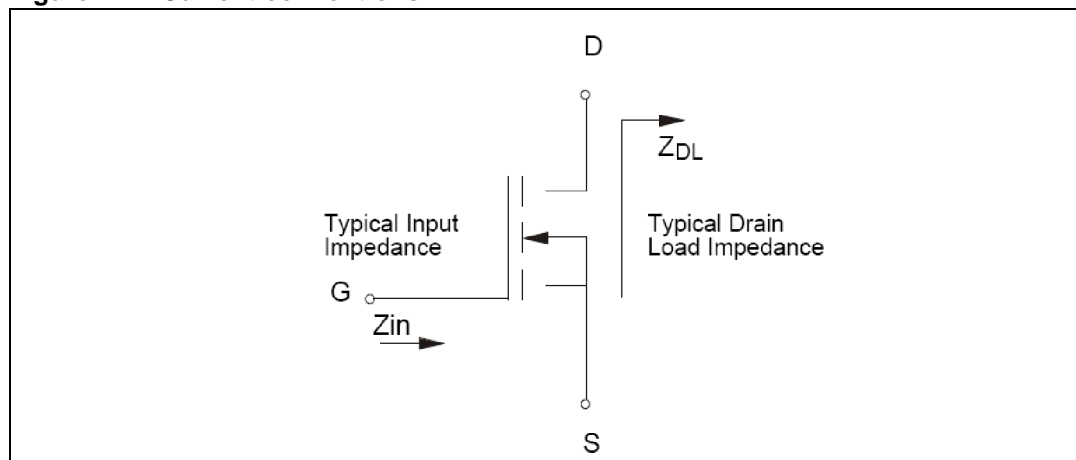
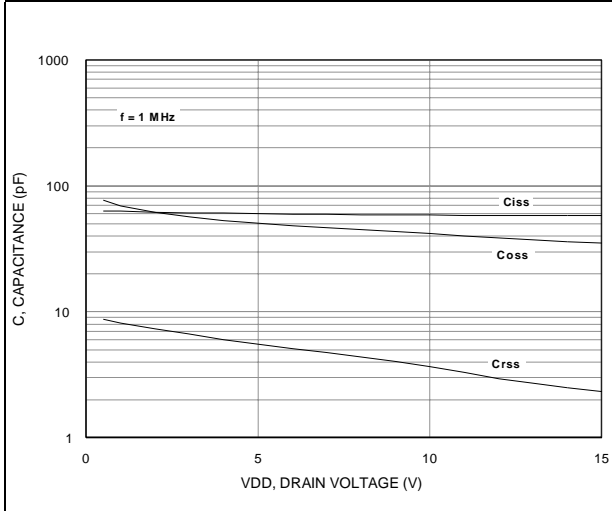


Table 5. Impedance data

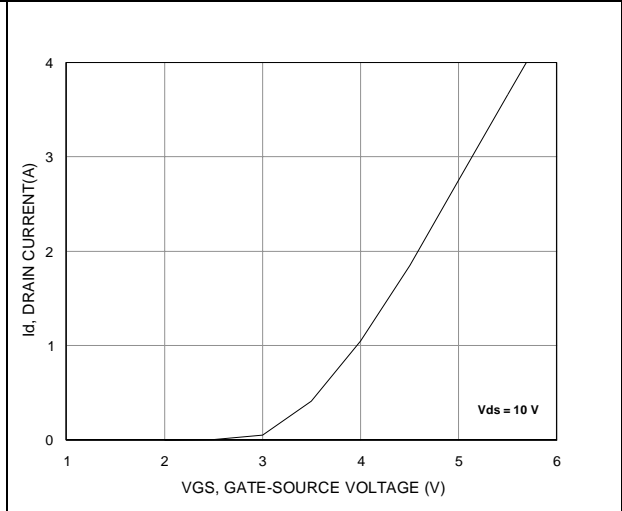
PD54003-E			PD54003S-E		
Freq. (MHz)	Z <sub>IN</sub> (Ω)	Z <sub>DL</sub> (Ω)	Freq. (MHz)	Z <sub>IN</sub> (Ω)	Z <sub>DL</sub> (Ω)
480	2.245 - j 0.077	3.436 + j 1.013	480	1.400 - j 3.986	2.805 + j 2.724
500	1.553 - j 1.251	2.661 + j 0.139	500	1.209 - j 2.451	3.192 + j 3.147
520	1.993 - j 1.098	2.564 + j 0.656	520	1.534 - j 2.104	2.524 + j 2.369

# 4 Typical performance

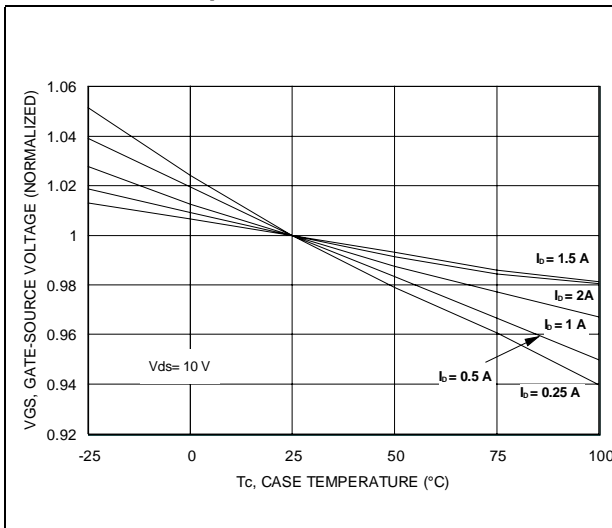
**Figure 2. Capacitance vs. drain voltage**



**Figure 3. Drain current vs. gate voltage**

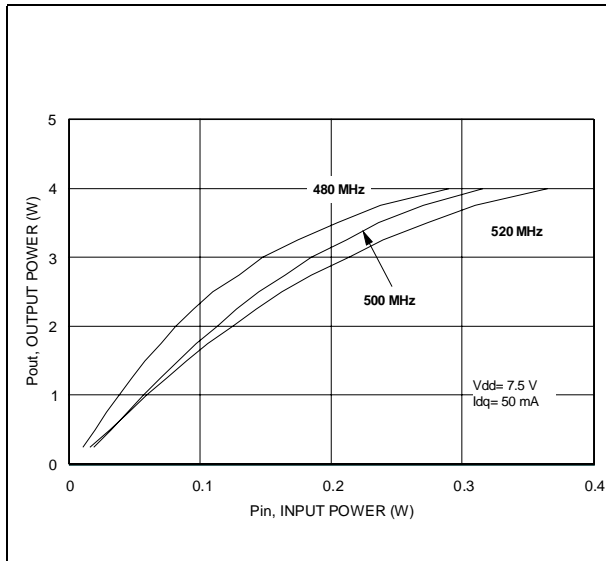


**Figure 4. Gate-source voltage vs. case temperature**

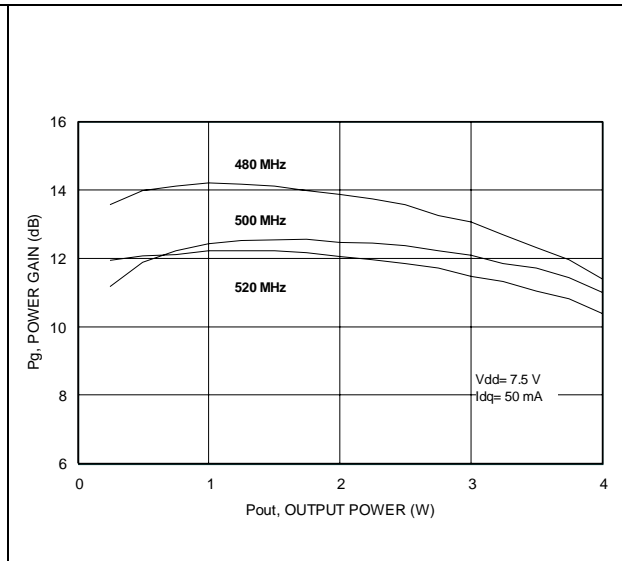


### PD54003

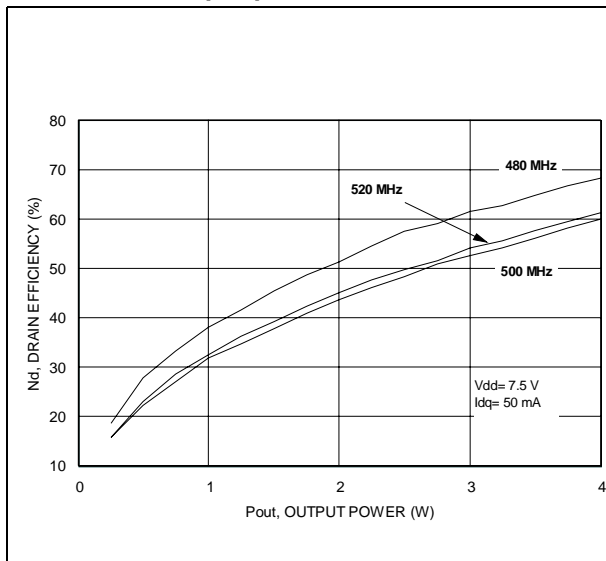
**Figure 5. Output power vs. input power**



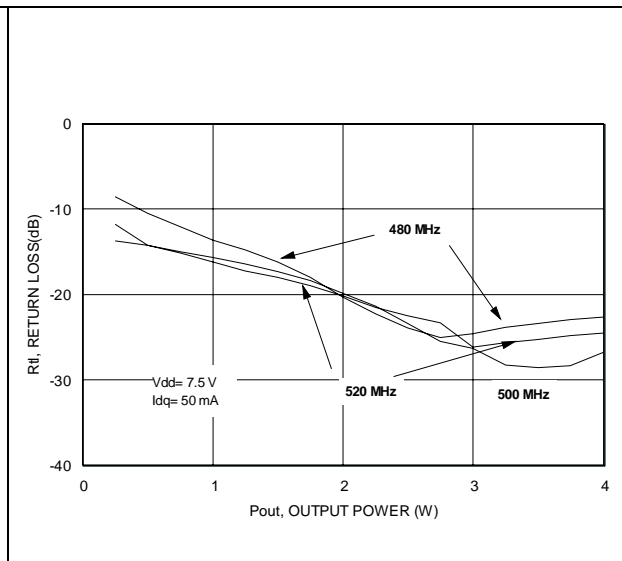
**Figure 6. Power gain vs. output power**



**Figure 7. Drain efficiency vs. output power**



**Figure 8. Return loss vs. output power**



### PD54003

Figure 9. Output power vs. bias current

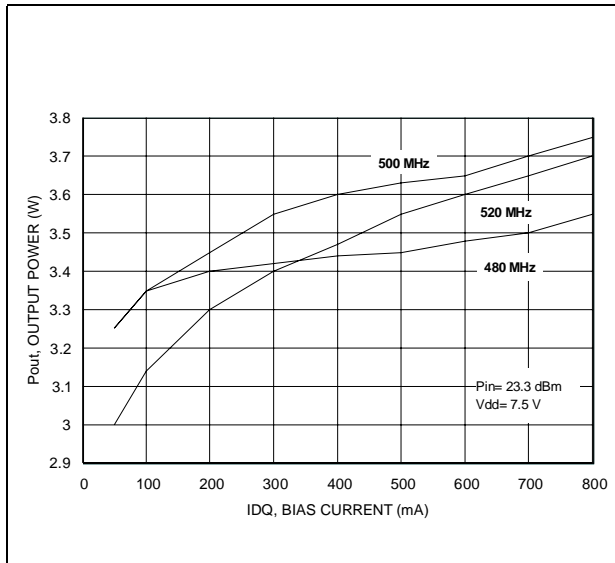


Figure 10. Drain voltage vs. bias current

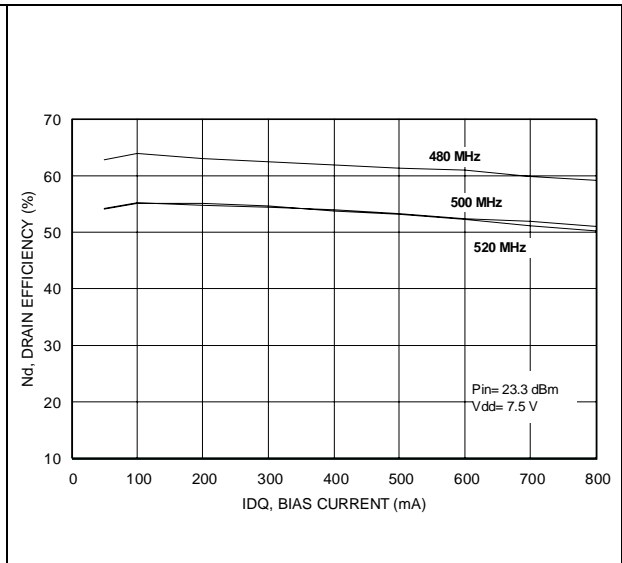


Figure 11. Output power vs. supply voltage

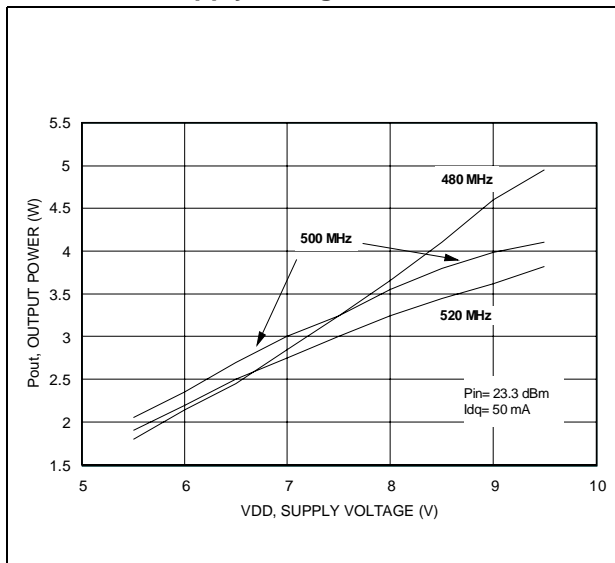


Figure 12. Drain efficiency vs. supply voltage

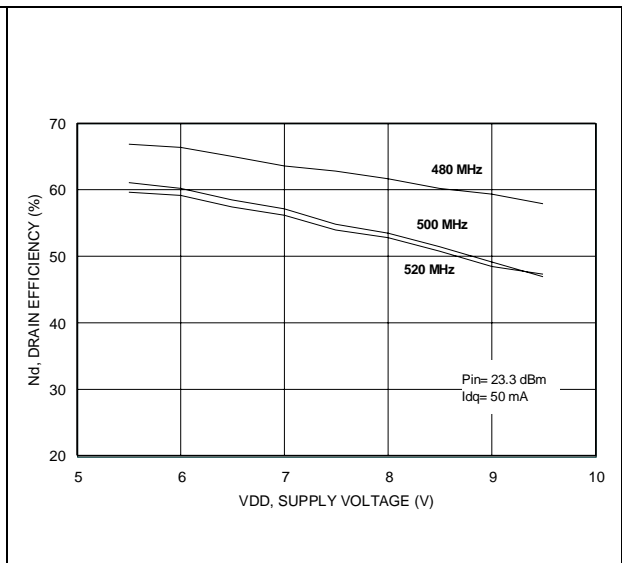
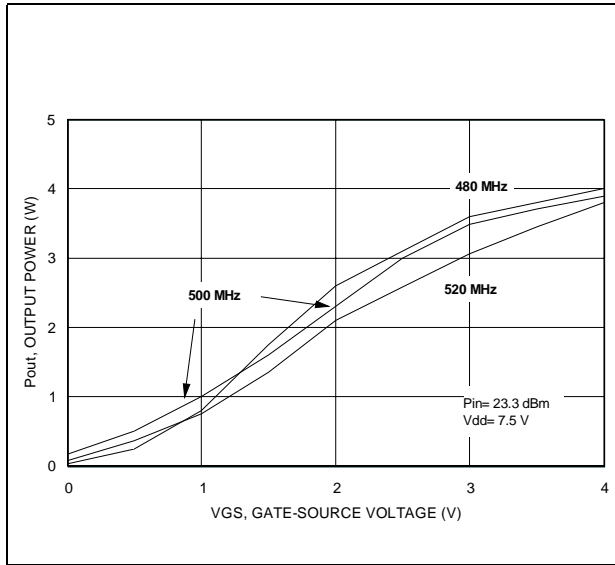




Figure 13. Output power vs. gate-source voltage



### PD54003S

Figure 14. Output power vs. input power

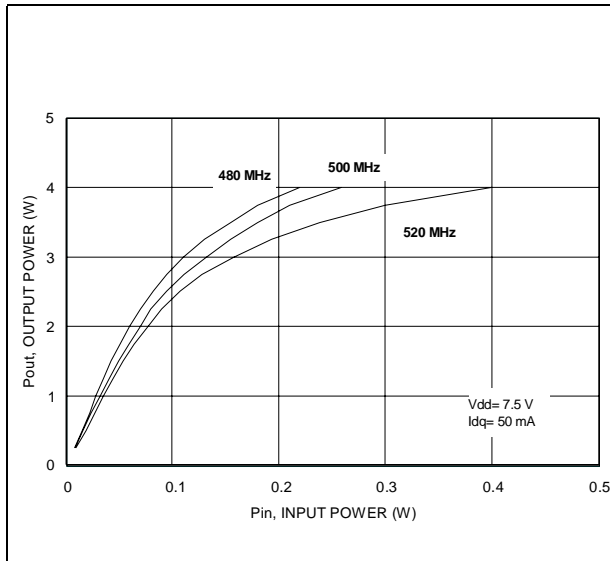


Figure 15. Power gain vs. output power

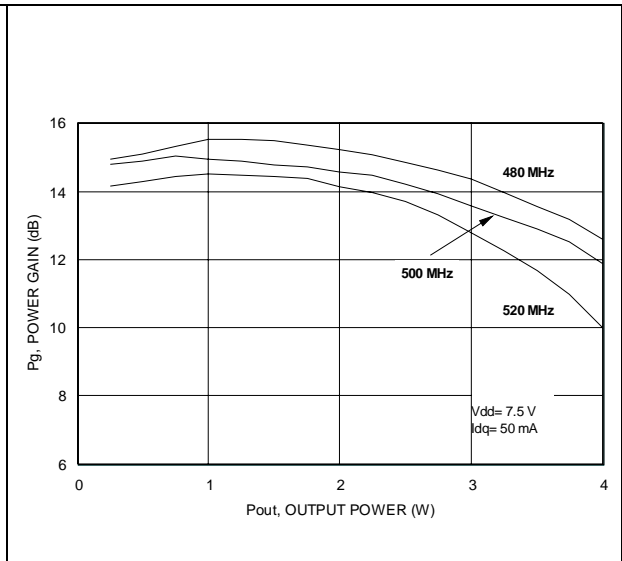


Figure 16. Drain efficiency vs. output power

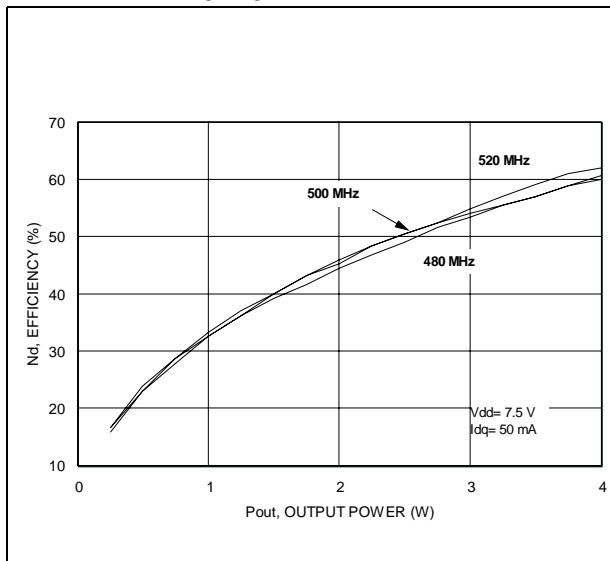


Figure 17. Return loss vs. output power

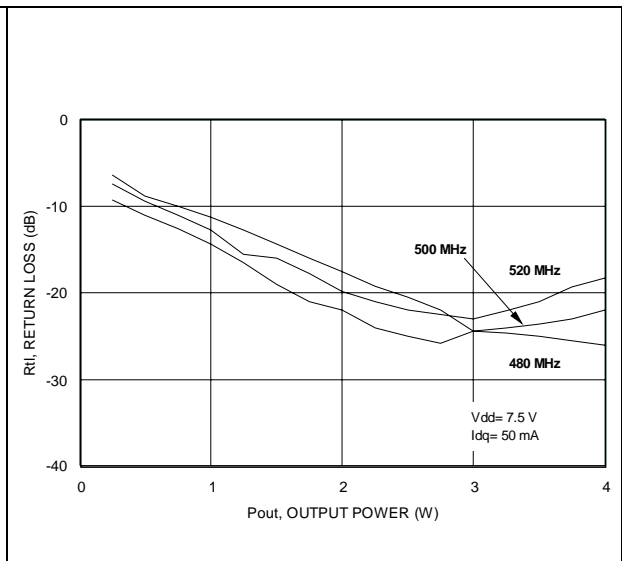


Figure 18. Output power vs. bias current

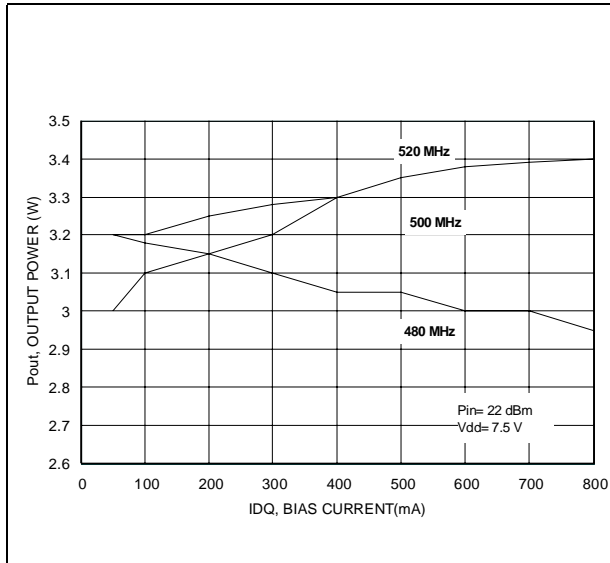
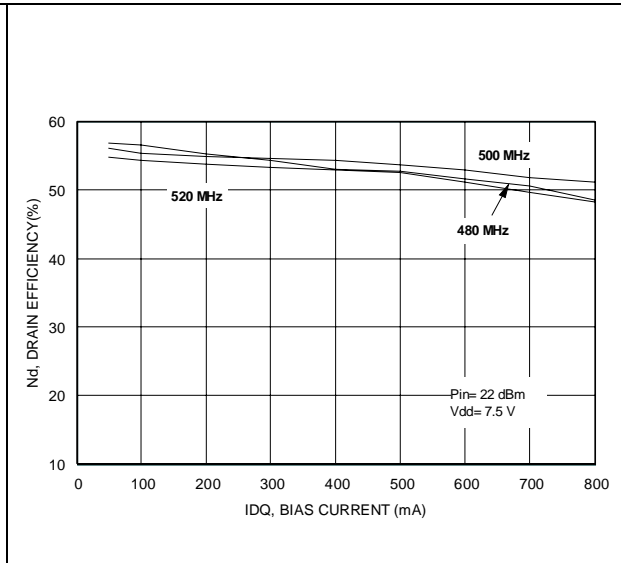
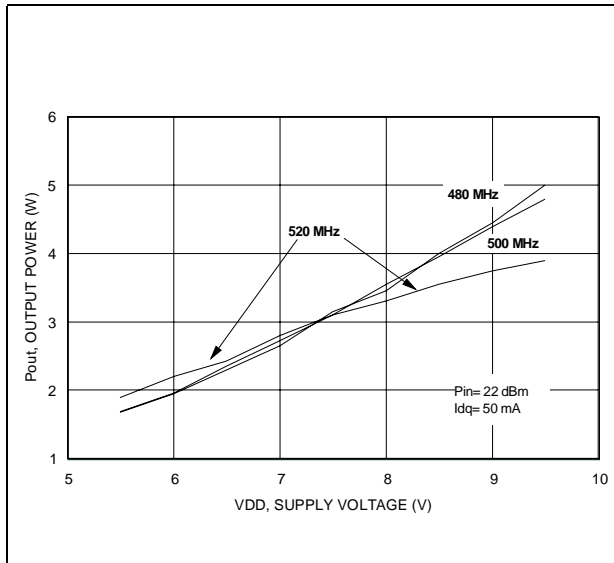


Figure 19. Drain efficiency vs. bias current

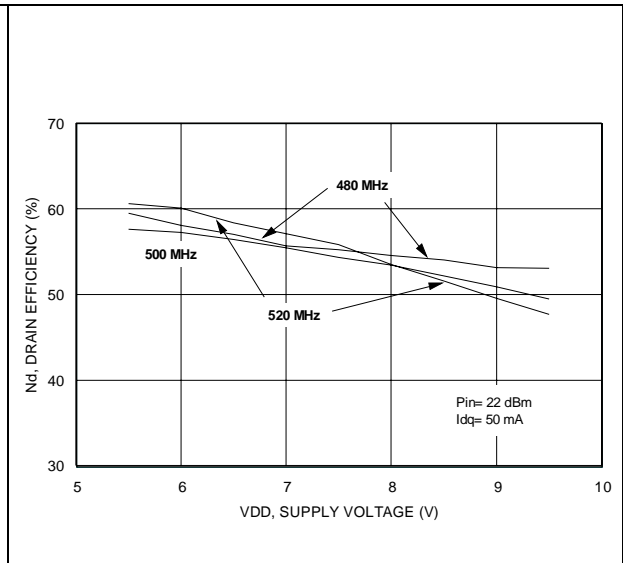


### PD54003S

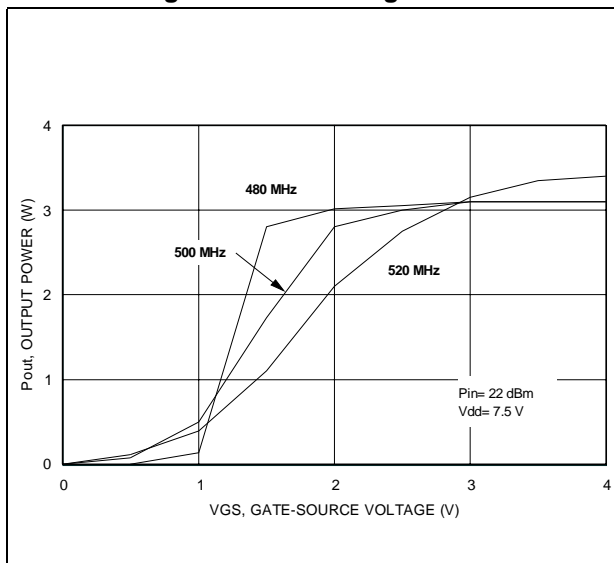
**Figure 20. Output power vs. supply voltage**



**Figure 21. Drain efficiency vs. supply voltage**



**Figure 22. Output power vs. gate-source voltage**



## 5 Test circuit

Figure 23. Test circuit schematic

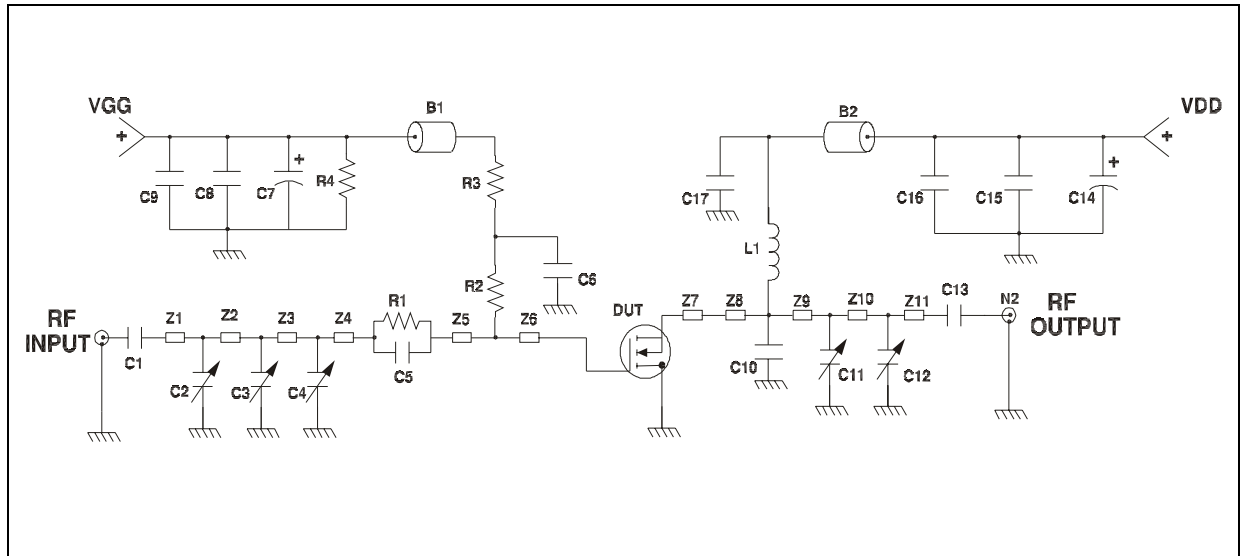


Table 6. Test circuit component part list

Component	Description
B1,B2	SHORT FERRITE BEAD, FAIR RITE PRODUCTS (2743021446)
C1,C13	240 pF, 100 mil CHIP CAPACITOR
C2,C3,C4,C10,C11,C12	0 TO 20 pF TRIMMER CAPACITOR
C5	130 pF, 100 mil CHIP CAPACITOR
C6,C17	120 pF, 100 mil CHIP CAPACITOR
C7,C14	10 $\mu$ F, 50 V ELECTROLITIC CAPACITOR
C8,C15	1.200 pF, 100 mil CHIP CAPACITOR
C9,C16	0.1 F, 100 mil CHIP CAPACITOR
L1	55,5 Nh, 5 TURN, COILCRAFT
N1,N2	TYPE N FLANGE MOUNT
R1	15 $\Omega$ , 0805 CHIP RESISTOR
R2	1.0 K $\Omega$ , 1/8 W RESISTOR
R3	15 $\Omega$ , 0805 CHIP RESISTOR
R4	33 K $\Omega$ , 1/8 W RESISTOR
Z1	0.175" X 0.080" MICROSTRIP
Z2	1.049" X 0.080" MICROSTRIP
Z3	0.289" X 0.080" MICROSTRIP

Table 6. Test circuit component part list

Component	Description
Z4	0.026" X 0.080" MICROSTRIP
Z5	0.192" X 0.223" MICROSTRIP
Z6,Z7	0.260" X 0.223" MICROSTRIP
Z8	0.064" X 0.080" MICROSTRIP
Z9	0.334" X 0.080" MICROSTRIP
Z10	0.985" X 0.080" MICROSTRIP
Z11	0.472" X 0.080" MICROSTRIP
BOARD	ROGER, ULTRA LAM 2000 THK 0.030", $\epsilon_r = 2.55$ 2oz. ED cu 2 SIDES.

## 6 Circuit layout

Figure 24. Test fixture component layout

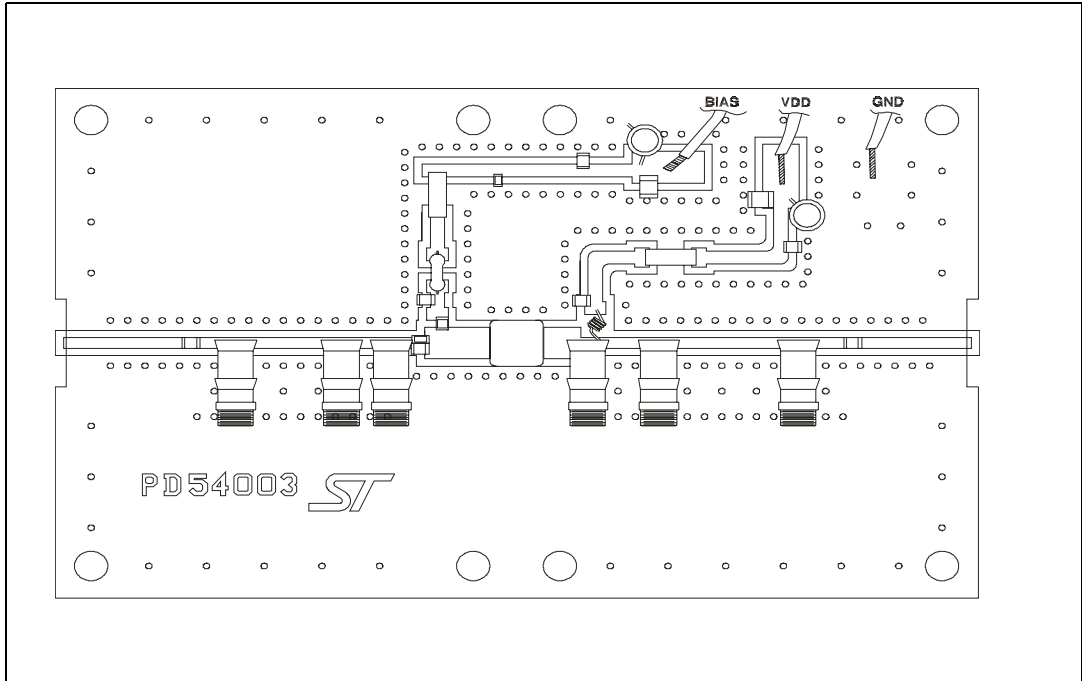
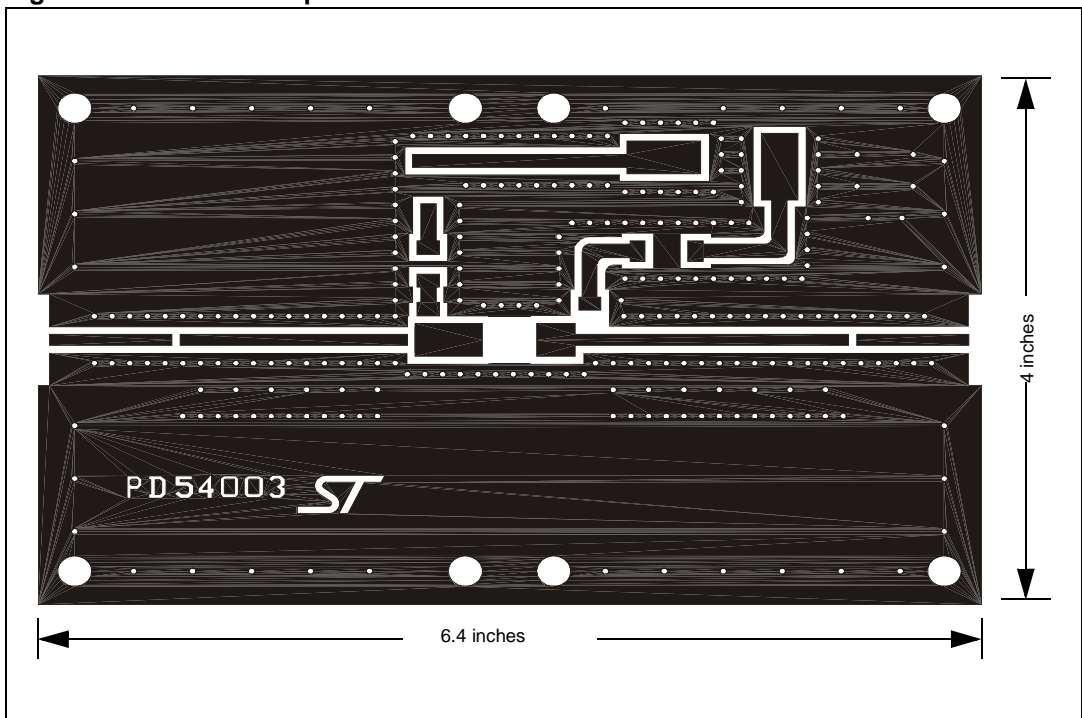


Figure 25. Test circuit photomaster



## 7 Common source s-parameter

### 7.1 PD54003 ( $V_{DS} = 7.5V$ , $I_{DS} = 50mA$ )

Table 7. S-parameter

FREQ (MHz)	$ S_{11} $	$S_{11}\angle\Phi$	$ S_{21} $	$S_{21}\angle\Phi$	$ S_{12} $	$S_{12}\angle\Phi$	$ S_{22} $	$S_{22}\angle\Phi$
50	0.729	-127	10.26	94	0.058	5	0.702	-122
100	0.759	-146	4.91	72	0.056	-15	0.706	-141
150	0.807	-154	3.02	59	0.050	-28	0.749	-149
200	0.845	-159	2.06	48	0.044	-38	0.802	-154
250	0.844	-162	1.48	40	0.039	-45	0.839	-185
300	0.901	-165	1.12	33	0.034	-52	0.875	-162
350	0.921	-168	0.86	27	0.030	-57	0.899	-165
400	0.932	-170	0.69	22	0.027	-60	0.915	-168
450	0.944	-172	0.56	18	0.023	-64	0.935	-170
500	0.952	-173	0.47	14	0.019	-66	0.943	-172
550	0.957	-175	0.39	11	0.017	-68	0.951	-173
600	0.962	-176	0.33	8	0.014	-72	0.954	-175
650	0.967	-177	0.29	5	0.012	-70	0.958	-176
700	0.969	-178	0.25	3	0.010	-71	0.958	-178
750	0.970	-180	0.22	1	0.009	-69	0.963	-179
800	0.972	179	0.20	-1	0.008	-71	0.963	179
850	0.972	179	0.18	-2	0.007	-78	0.969	178
900	0.973	178	0.16	-4	0.004	-76	0.972	177
950	0.972	177	0.15	-5	0.002	-46	0.972	176
1000	0.975	176	0.13	-6	0.003	-42	0.973	175
1050	0.975	175	0.12	-7	0.001	14	0.968	174
1100	0.975	174	0.11	-8	0.003	29	0.966	173
1150	0.970	173	0.10	-10	0.003	51	0.967	172
1200	0.973	173	0.10	-10	0.005	65	0.965	171
1250	0.972	172	0.09	-12	0.005	62	0.966	170
1300	0.970	171	0.08	-12	0.007	67	0.963	170
1350	0.970	170	0.08	-12	0.007	67	0.959	169
1400	0.967	170	0.07	-12	0.008	73	0.962	168
1450	0.968	169	0.07	-12	0.010	64	0.953	167
1500	0.965	168	0.06	-15	0.010	76	0.950	166



## 7.2 PD54003 ( $V_{DS} = 7.5V$ , $I_{DS} = 500mA$ )

**Table 8. S-parameter**

FREQ (MHz)	$ S_{11} $	$S_{11}\angle\Phi$	$ S_{21} $	$S_{21}\angle\Phi$	$ S_{12} $	$S_{12}\angle\Phi$	$ S_{22} $	$S_{22}\angle\Phi$
50	0.779	-162	16.39	88	0.026	4	0.772	-160
100	0.810	-168	7.93	79	0.025	-7	0.768	-168
150	0.836	-171	5.18	73	0.024	-13	0.774	-171
200	0.850	-173	3.81	67	0.023	-16	0.784	-172
250	0.861	-174	2.96	60	0.022	-21	0.795	-173
300	0.871	-175	2.39	55	0.020	-24	0.815	-174
350	0.881	-176	1.97	49	0.018	-27	0.813	-174
400	0.890	-176	1.65	45	0.017	-31	0.845	-175
450	0.901	-177	1.40	40	0.016	-30	0.865	-176
500	0.908	-178	1.20	36	0.015	-34	0.876	176
550	0.915	-179	1.05	32	0.013	-32	0.886	-177
600	0.924	-179	0.92	28	0.012	-34	0.894	-178
650	0.928	180	0.81	25	0.010	-33	0.900	-179
700	0.934	179	0.72	22	0.010	-33	0.906	180
750	0.937	178	0.65	19	0.008	-29	0.912	179
800	0.939	177	0.59	17	0.007	-24	0.920	178
850	0.943	177	0.53	14	0.006	-15	0.928	177
900	0.943	176	0.48	12	0.006	-7	0.932	176
950	0.948	175	0.45	10	0.005	9	0.934	175
1000	0.950	175	0.41	7	0.005	11	0.938	174
1050	0.952	174	0.38	5	0.006	28	0.934	173
1100	0.955	173	0.35	3	0.006	33	0.937	172
1150	0.954	172	0.32	1	0.007	41	0.938	172
1200	0.954	172	0.30	0	0.007	40	0.938	171
1250	0.953	172	0.28	-3	0.008	51	0.940	170
1300	0.952	170	0.26	-4	0.008	53	0.939	169
1350	0.954	170	0.24	-5	0.010	55	0.936	168
1400	0.952	169	0.23	-6	0.011	57	0.943	167
1450	0.952	168	0.22	-7	0.011	59	0.933	167
1500	0.950	168	0.20	-8	0.010	70	0.930	166

### 7.3 PD54003 ( $V_{DS} = 7.5V$ $I_{DS} = 1A$ )

**Table 9. S-parameter**

FREQ (MHz)	$ S_{11} $	$S_{11}\angle\Phi$	$ S_{21} $	$S_{21}\angle\Phi$	$ S_{12} $	$S_{12}\angle\Phi$	$ S_{22} $	$S_{22}\angle\Phi$
50	0.802	-166	16.70	88	0.021	0	0.793	-164
100	0.831	-170	8.10	80	0.021	-6	0.790	-171
150	0.855	-173	5.32	75	0.020	-8	0.793	-173
200	0.867	-175	3.94	69	0.019	-13	0.801	-174
250	0.876	-175	3.08	64	0.019	-16	0.807	-175
300	0.883	-177	2.52	59	0.018	-19	0.822	-176
350	0.887	-177	2.09	53	0.017	-22	0.834	-176
400	0.864	-178	1.77	49	0.015	-24	0.844	-177
450	0.903	-178	1.52	44	0.014	-23	0.864	-177
500	0.911	-179	1.32	40	0.013	-26	0.871	-178
550	0.916	-180	1.15	36	0.012	-27	0.880	-179
600	0.922	179	1.01	33	0.010	-25	0.886	-179
650	0.926	179	0.90	30	0.010	-20	0.989	180
700	0.931	178	0.81	27	0.009	-23	0.898	179
750	0.934	177	0.73	24	0.008	-15	0.903	178
800	0.938	177	0.66	21	0.007	-16	0.911	177
850	0.941	176	0.60	18	0.007	2	0.919	176
900	0.944	175	0.55	16	0.007	3	0.923	175
950	0.945	175	0.51	13	0.007	14	0.927	175
1000	0.947	174	0.47	11	0.005	29	0.930	174
1050	0.950	173	0.43	9	0.007	24	0.930	173
1100	0.952	173	0.40	6	0.007	41	0.929	172
1150	0.947	172	0.37	4	0.007	35	0.932	171
1200	0.949	171	0.35	2	0.009	47	0.931	171
1250	0.951	171	0.32	0	0.009	52	0.934	170
1300	0.951	170	0.30	-1	0.009	42	0.931	169
1350	0.948	169	0.28	-2	0.011	51	0.931	168
1400	0.948	169	0.26	-4	0.011	53	0.935	167
1450	0.948	168	0.25	-5	0.011	55	0.927	167
1500	0.945	167	0.23	-6	0.012	64	0.927	165

## 7.4 PD54003S ( $V_{DS} = 7.5V$ , $I_{DS} = 50mA$ )

**Table 10. S-parameter**

FREQ (MHz)	$ S_{11} $	$S_{11}\angle\Phi$	$ S_{21} $	$S_{21}\angle\Phi$	$ S_{12} $	$S_{12}\angle\Phi$	$ S_{22} $	$S_{22}\angle\Phi$
50	0.749	-133	9.42	93	0.063	4	0.702	-130
100	0.760	-151	4.51	74	0.060	-15	0.706	-147
150	0.799	-157	2.81	62	0.055	-26	0.747	-153
200	0.837	-160	1.93	52	0.051	-36	0.790	-157
250	0.869	-163	1.41	43	0.046	-43	0.835	-160
300	0.893	-165	1.08	37	0.041	-49	0.861	-162
350	0.913	-167	0.84	31	0.037	-53	0.885	-165
400	0.932	-169	0.68	26	0.033	-58	0.905	-167
450	0.941	-170	0.55	21	0.029	-61	0.918	-169
500	0.949	-172	0.46	18	0.026	-66	0.931	-170
550	0.961	-173	0.39	14	0.024	-68	0.943	-172
600	0.965	-174	0.33	11	0.021	-69	0.947	-173
650	0.969	-176	0.29	9	0.019	-74	0.954	-174
700	0.970	-177	0.25	6	0.017	-73	0.960	-175
750	0.974	-177	0.22	4	0.016	-73	0.962	-177
800	0.977	-178	0.20	2	0.014	-77	0.965	-177
850	0.979	-179	0.18	1	0.012	-79	0.965	-178
900	0.977	-180	0.16	-1	0.011	-82	0.968	-179
950	0.978	180	0.15	-3	0.010	-80	0.971	-180
1000	0.982	179	0.13	-4	0.009	-82	0.973	179
1050	0.983	178	0.12	-6	0.007	-88	0.974	178
1100	0.982	177	0.13	-7	0.005	-88	0.969	178
1150	0.982	177	0.10	-8	0.005	-83	0.975	177
1200	0.982	176	0.10	-9	0.004	-87	0.975	176
1250	0.984	176	0.09	-11	0.000	-90	0.972	176
1300	0.980	175	0.08	-11	0.020	-81	0.970	175
1350	0.978	175	0.08	-12	0.001	-111	0.974	175
1400	0.977	174	0.07	-12	0.001	-61	0.970	174
1450	0.979	174	0.07	-11	0.001	19	0.971	173
1500	0.976	173	0.06	-13	0.002	138	0.970	173

## 7.5 PD54003S ( $V_{DS} = 7.5V$ , $I_{DS} = 500mA$ )

**Table 11. S-parameter**

FREQ (MHz)	$ S_{11} $	$S_{11}\angle\Phi$	$ S_{21} $	$S_{21}\angle\Phi$	$ S_{12} $	$S_{12}\angle\Phi$	$ S_{22} $	$S_{22}\angle\Phi$
50	0.805	-165	13.88	88	0.025	1	0.806	-164
100	0.838	-170	6.74	81	0.003	-6	0.80372	-171
150	0.863	-172	4.43	76	0.024	-10	0.840	-173
200	0.873	-174	3.27	71	0.024	-15	0.814	-174
250	0.880	-175	2.57	65	0.023	-18	0.827	-175
300	0.884	-176	2.10	60	0.022	-22	0.83481	-175
350	0.891	-176	1.75	56	0.022	-27	0.845	-175
400	0.901	-177	1.49	51	0.020	-28	0.857	-176
450	0.906	-177	1.27	47	0.018	-33	0.863	-176
500	0.914	-178	1.10	43	0.017	-35	0.877	-177
550	0.923	-178	0.97	39	0.017	-37	0.881	-177
600	0.927	-179	0.85	36	0.015	-36	0.892	-177
650	0.931	-179	0.76	33	0.014	-39	0.902	-178
700	0.934	-180	0.68	30	0.013	-38	0.908	-78
750	0.941	180	0.62	27	0.012	-40	0.914	-179
800	0.944	179	0.56	25	0.012	-47	0.918	-180
850	0.948	179	0.51	22	0.010	-47	0.920	180
900	0.949	178	0.46	19	0.009	-42	0.927	179
950	0.951	178	0.43	17	0.008	-46	0.933	178
1000	0.954	177	0.40	15	0.006	-42	0.936	178
1050	0.955	177	0.37	13	0.007	-36	0.937	177
1100	0.959	176	0.34	10	0.006	-38	0.939	177
1150	0.960	176	0.32	9	0.004	-42	0.942	176
1200	0.961	175	0.30	7	0.004	-23	0.943	176
1250	0.965	175	0.28	5	0.004	0	0.942	175
1300	0.960	174	0.26	4	0.0036	2	0.941	175
1350	0.961	174	0.24	2	0.004	20	0.941	174
1400	0.959	173	0.23	1	0.004	30	0.941	173
1450	0.960	173	0.24	1	0.004	40	0.949	173
1500	0.959	172	0.20	0	0.003	50	0.948	172

## 7.6 PD54003S ( $V_{DS} = 7.5V$ , $I_{DS} = 1A$ )

**Table 12. S-parameter**

FREQ (MHz)	$ S_{11} $	$S_{11}\angle\Phi$	$ S_{21} $	$S_{21}\angle\Phi$	$ S_{12} $	$S_{12}\angle\Phi$	$ S_{22} $	$S_{22}\angle\Phi$
50	0.879	-164	14.04	88	0.021	0	0.828	-168
100	0.879	-172	6.82	82	0.020	-5	0.826	-174
150	0.885	-174	4.50	78	0.020	-9	0.832	-175
200	0.887	-175	3.34	73	0.020	-11	0.831	-176
250	0.890	-176	2.65	68	0.019	-16	0.844	-177
300	0.894	-177	2.18	64	0.019	-18	0.847	-176
350	0.898	-177	1.82	60	0.018	-21	0.857	-177
400	0.907	-178	1.57	55	0.017	-21	0.864	-177
450	0.910	-178	1.35	51	0.016	-25	0.866	-177
500	0.914	-179	1.18	47	0.015	-29	0.877	-178
550	0.922	-179	1.04	44	0.014	-30	0.887	-178
600	0.926	-180	0.93	41	0.014	-30	0.888	-179
650	0.930	180	0.84	38	0.130	-33	0.897	-179
700	0.934	179	0.75	35	0.012	-33	0.905	-180
750	0.938	179	0.68	32	0.011	-34	0.907	180
800	0.940	178	0.62	30	0.010	-33	0.914	179
850	0.946	178	0.57	27	0.010	-30	0.913	179
900	0.944	177	0.52	24	0.009	-27	0.921	178
950	0.946	177	0.48	22	0.008	-28	0.928	177
1000	0.95	176	0.45	19	0.008	-31	0.930	177
1050	0.949	176	0.42	17	0.006	-26	0.933	177
1100	0.953	176	0.39	15	0.006	-19	0.933	176
1150	0.954	175	0.36	13	0.005	-16	0.937	176
1200	0.956	175	0.34	11	0.005	-15	0.938	175
1250	0.957	174	0.32	9	0.004	3	0.934	175
1300	0.955	174	0.30	7	0.003	2	0.934	174
1350	0.955	173	0.28	6	0.005	25	0.937	174
1400	0.955	173	0.26	5	0.005	33	0.935	173
1450	0.957	172	0.25	4	0.005	31	0.943	172
1500	0.954	172	0.23	3	0.004	42	0.943	172

## 8 Mechanical data

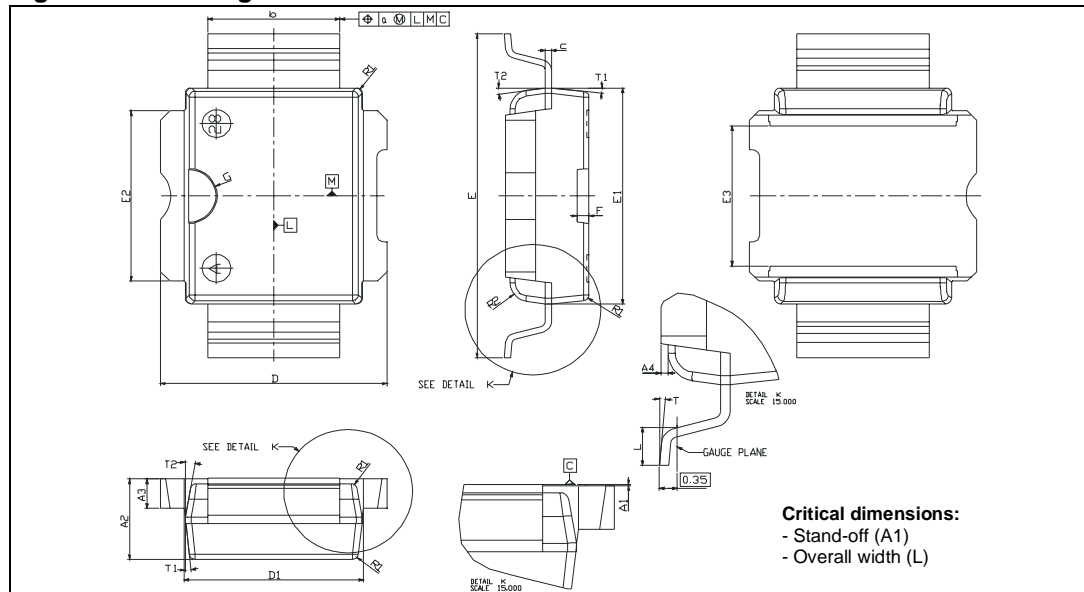
In order to meet environmental requirements, ST offers these devices in ECOPACK® packages. These packages have a Lead-free second level interconnect . The category of second level interconnect is marked on the package and on the inner box label, in compliance with JEDEC Standard JESD97. The maximum ratings related to soldering conditions are also marked on the inner box label. ECOPACK is an ST trademark. ECOPACK specifications are available at: [www.st.com](http://www.st.com)

**Table 13. PowerSO-10RF Formed lead (Gull Wing) Mechanical data**

Dim.	mm.			Inch		
	Min.	Typ.	Max.	Min.	Typ.	Max.
A1	0	0.05	0.1	0.	0.0019	0.0038
A2	3.4	3.5	3.6	0.134	0.137	0.142
A3	1.2	1.3	1.4	0.046	0.05	0.054
A4	0.15	0.2	0.25	0.005	0.007	0.009
a		0.2			0.007	
b	5.4	5.53	5.65	0.212	0.217	0.221
c	0.23	0.27	0.32	0.008	0.01	0.012
D	9.4	9.5	9.6	0.370	0.374	0.377
D1	7.4	7.5	7.6	0.290	0.295	0.298
E	13.85	14.1	14.35	0.544	0.555	0.565
E1	9.3	9.4	9.5	0.365	0.37	0.375
E2	7.3	7.4	7.5	0.286	0.292	0.294
E3	5.9	6.1	6.3	0.231	0.24	0.247
F		0.5			0.019	
G		1.2			0.047	
L	0.8	1	1.1	0.030	0.039	0.042
R1			0.25			0.01
R2		0.8			0.031	
T	2 deg	5 deg	8 deg	2 deg	5 deg	8 deg
T1		6 deg			6 deg	
T2		10 deg			10 deg	

Note: Resin protrusions not included (max value: 0.15 mm per side)

**Figure 26. Package dimensions**



**Table 14. PowerSO-10RF Straight Lead Mechanical data**

Dim.	mm.			Inch		
	Min.	Typ.	Max.	Min.	Typ.	Max.
A1	1.62	1.67	1.72	0.064	0.065	0.068
A2	3.4	3.5	3.6	0.134	0.137	0.142
A3	1.2	1.3	1.4	0.046	0.05	0.054
A4	0.15	0.2	0.25	0.005	0.007	0.009
a		0.2			0.007	
b	5.4	5.53	5.65	0.212	0.217	0.221
c	0.23	0.27	0.32	0.008	0.01	0.012
D	9.4	9.5	9.6	0.370	0.374	0.377
D1	7.4	7.5	7.6	0.290	0.295	0.298
E	15.15	15.4	15.65	0.595	0.606	0.615
E1	9.3	9.4	9.5	0.365	0.37	0.375
E2	7.3	7.4	7.5	0.286	0.292	0.294
E3	5.9	6.1	6.3	0.231	0.24	0.247
F		0.5			0.019	
G		1.2			0.047	
R1			0.25			0.01
R2		0.8			0.031	
T1		6 deg			6 deg	
T2		10 deg			10 deg	

Note: Resin protrusions not included (max value: 0.15 mm per side)

**Figure 27. Package dimensions**

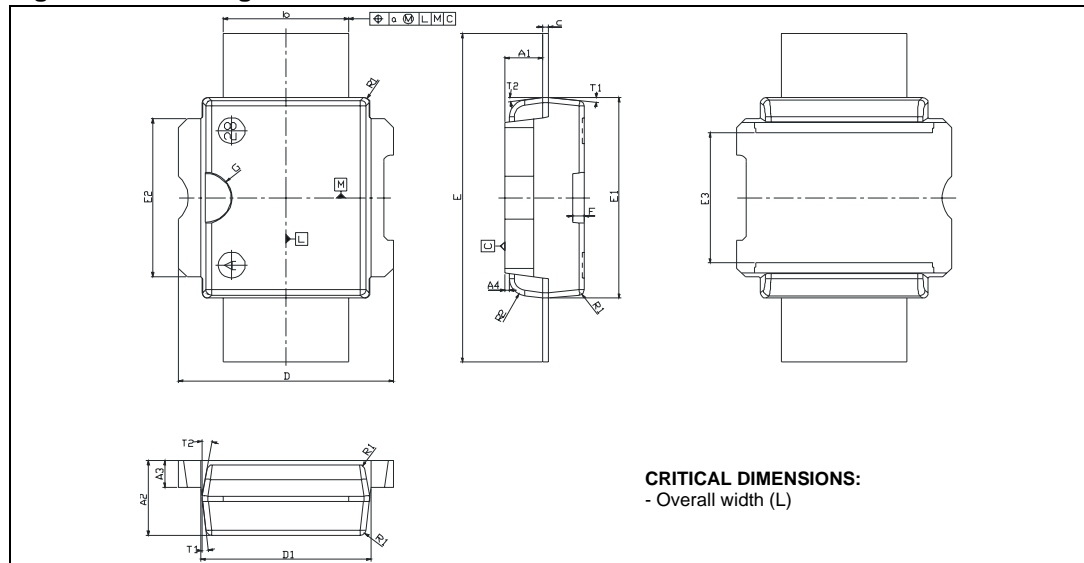
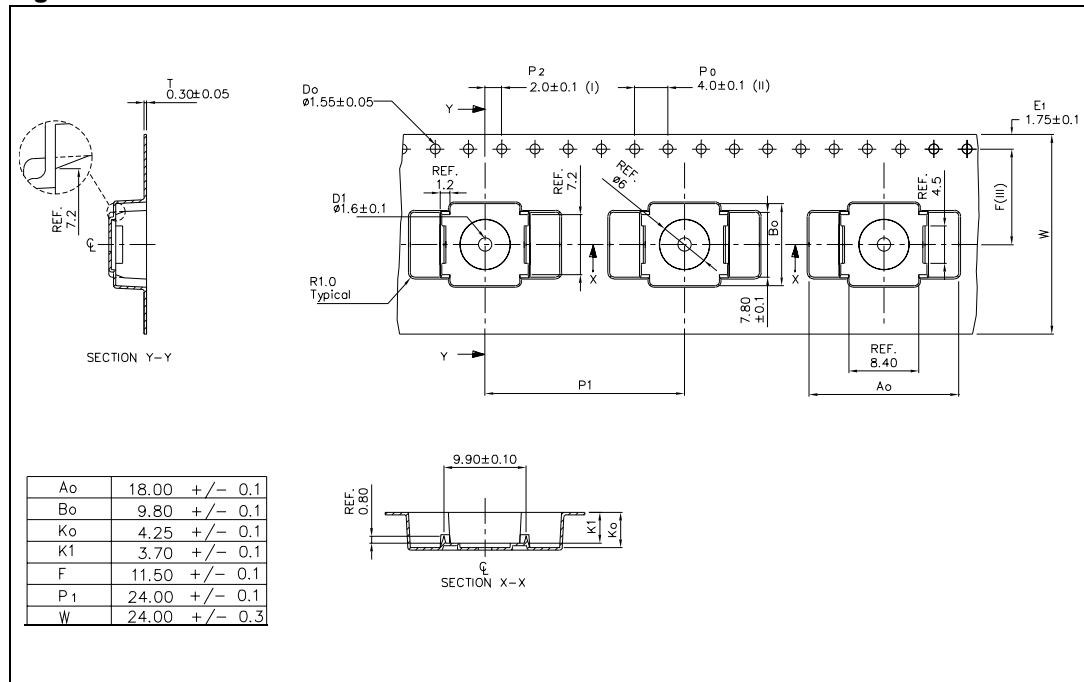






Figure 29. Reel information



## 9 Revision history

**Table 15. Revision history**

Date	Revision	Changes
21-Mar-2006	1	Initial release.

**Please Read Carefully:**

Information in this document is provided solely in connection with ST products. STMicroelectronics NV and its subsidiaries ("ST") reserve the right to make changes, corrections, modifications or improvements, to this document, and the products and services described herein at any time, without notice.

All ST products are sold pursuant to ST's terms and conditions of sale.

Purchasers are solely responsible for the choice, selection and use of the ST products and services described herein, and ST assumes no liability whatsoever relating to the choice, selection or use of the ST products and services described herein.

No license, express or implied, by estoppel or otherwise, to any intellectual property rights is granted under this document. If any part of this document refers to any third party products or services it shall not be deemed a license grant by ST for the use of such third party products or services, or any intellectual property contained therein or considered as a warranty covering the use in any manner whatsoever of such third party products or services or any intellectual property contained therein.

**UNLESS OTHERWISE SET FORTH IN ST'S TERMS AND CONDITIONS OF SALE ST DISCLAIMS ANY EXPRESS OR IMPLIED WARRANTY WITH RESPECT TO THE USE AND/OR SALE OF ST PRODUCTS INCLUDING WITHOUT LIMITATION IMPLIED WARRANTIES OF MERCHANTABILITY, FITNESS FOR A PARTICULAR PURPOSE (AND THEIR EQUIVALENTS UNDER THE LAWS OF ANY JURISDICTION), OR INFRINGEMENT OF ANY PATENT, COPYRIGHT OR OTHER INTELLECTUAL PROPERTY RIGHT.**

**UNLESS EXPRESSLY APPROVED IN WRITING BY AN AUTHORIZED REPRESENTATIVE OF ST, ST PRODUCTS ARE NOT DESIGNED, AUTHORIZED OR WARRANTED FOR USE IN MILITARY, AIR CRAFT, SPACE, LIFE SAVING, OR LIFE SUSTAINING APPLICATIONS, NOR IN PRODUCTS OR SYSTEMS, WHERE FAILURE OR MALFUNCTION MAY RESULT IN PERSONAL INJURY, DEATH, OR SEVERE PROPERTY OR ENVIRONMENTAL DAMAGE.**

Resale of ST products with provisions different from the statements and/or technical features set forth in this document shall immediately void any warranty granted by ST for the ST product or service described herein and shall not create or extend in any manner whatsoever, any liability of ST.

ST and the ST logo are trademarks or registered trademarks of ST in various countries.

Information in this document supersedes and replaces all information previously supplied.

The ST logo is a registered trademark of STMicroelectronics. All other names are the property of their respective owners.

© 2006 STMicroelectronics - All rights reserved

STMicroelectronics group of companies

Australia - Belgium - Brazil - Canada - China - Czech Republic - Finland - France - Germany - Hong Kong - India - Israel - Italy - Japan - Malaysia - Malta - Morocco - Singapore - Spain - Sweden - Switzerland - United Kingdom - United States of America

[www.st.com](http://www.st.com)